

Overview



SITRANS LR120 is a compact radar transmitter for continuous level measurement of liquids and solids to a range of 30 m (98.4 ft).

Benefits

- Bluetooth connectivity for easy setup with SITRANS mobile IQ
- Chemically resistant PVDF enclosure
- HART 7.0 or Modbus RTU (in preparation) communication for intelligent integration into your application
- W band FMCW radar yields narrow beam with small antenna for superior performance in applications with obstructions
- Approved for open air applications outside of a tank
- 2 mm accuracy and zero near range distance yields optimum inventory management capability
- Submergence shield accessory prevents build up on sensor during flooding conditions
- Hazardous area variants available for safe use in explosive gas or dust environments

Application

SITRANS LR120 is a W band FMCW radar level transmitter, packaged in a hermetically sealed PVDF enclosure for years of trouble-free reliable measurement service.

4 to 20 mA loop powered with HART [optional 4-wire Modbus RTU (in preparation)], providing accurate level measurement to ranges of 30 m (98.4 ft). Its long range, narrow beam make LR120 suitable for wet wells with obstructions or solids level measurement, for example aggregates or plastic pellets. Programming is convenient using the Bluetooth connection and SITRANS mobile IQ application on your smart device.

Technical specifications

| | |
|---|---|
| Mode of operation | |
| Measuring principle | W band FMCW radar |
| Measuring range | 0 ... 30 m (0 ... 98.4 ft) |
| Frequency | 80 GHz nominal |
| Beam angle | 4° |
| Power Supply | |
| HART | |
| • Voltage | 12 ... 35 V DC |
| • Current | 4 ... 20 mA |
| Modbus (in preparation) | |
| • Voltage | 8 ... 30 V DC |
| • Current | 38 mA at 8 V DC/17 mA at 30 V DC |
| Communications | |
| 4 ... 20 mA | HART 7.0 |
| Modbus (4-wire option) (in preparation) | RTU |
| Accuracy | |
| | ± 2 mm (range 0.25 ... 30 m), ± 10 mm (range 0 ... 0.25 m) |
| Rated operating conditions | |
| Vessel pressure | -1 ... +3 bar (14.50 ... 43.51 psi g) |
| Ambient temperature | -40 ... +80 °C (-40 ... +176 °F) |
| Process temperature | -40 ... +80 °C (-40 ... +176 °F) |
| Storage temperature | -40 ... +80 °C (-40 ... +176 °F) |
| Design | |
| Weight | 0.7 kg (1.5 lb), plus 0.1 kg/m (0.2 lb/ft) cable length |
| Material | |
| • Enclosure | PVDF |
| • Submergence shield | <ul style="list-style-type: none"> • Polypropylene • Silicone O-ring |
| Degree of protection | IP66/IP68 |
| Cable connection | 1" NPT or 1" BSPT threaded connection |
| • HART | Length options: 5 ... 100 m (16.4 ... 328.1 ft), 2 conductor, twisted with shield 18 AWG, PVC jacket |
| • Modbus version (in preparation) | Length options: 5 ... 100 m (16.4 ... 328.1 ft), 4 conductor, twisted pairs, 22 AWG, polyurethane jacket |
| Certificates and approvals | |
| | CE, cFM _{US} , cCSA _{US} , ATEX, IECEX, RCM, FCC, Industry Canada, INMETRO, NEPSI, FDA(EG)1935/2004 |
| Programming | |
| SITRANS mobile IQ app | SITRANS mobile IQ is a Bluetooth app that provides an intuitive inter- face to quickly configure, set up and monitor SITRANS LR100 series. For more information: http://www.siemens.com/mobileIQ |
| SIMATIC PDM | SIMATIC PDM allows for remote PC configuration and diagnostics (for installation on a network). |

Level measurement

Continuous level measurement
Radar level transmitters

SITRANS LR120

Selection and ordering data

Article No.

Order code

SITRANS LR120 Radar level transmitter

Continuous, non-contact, 30 m (98.4 ft) range, for liquids, slurries, and solids, integrated cable connection

➤ Click on the Article No. for the online configuration in the PIA Life Cycle Portal.

Communications

HART (4 ... 20 mA)

Bluetooth function

Disabled
Enabled

Cable length

5 m
10 m
30 m
50 m
100 m

Type of protection

Non Ex (ordinary locations) cFM_{US}, cCSA_{US}, CE, RCM²⁾

Ex i (ia) (Gas Ex-Zone 0/Class I, Div. 1) Dust Ex-Zone 20, 21, Class II & III Div. 1¹⁾

Ex Zone 1, 1/2, 2, Zone 21, 22, via encapsulation³⁾

Electrical connection of the cable entry

1" BSPT
1" NPT

| 7ML532- | - | A | 0 | 6 | - | 0 | 0 |
|---------|---|---|---|---|---|---|---|
| | | A | 0 | 6 | - | 0 | 0 |
| | 0 | | | | | | |
| | | 0 | | | | | |
| | | 1 | | | | | |
| | | A | | | | | |
| | | B | | | | | |
| | | C | | | | | |
| | | D | | | | | |
| | | E | | | | | |
| | | | | | | A | |
| | | | | | | B | |
| | | | | | | G | |
| | | | | | | H | |
| | | | | | | P | |

Further designs

Please add "-Z" to Article No. and specify Order code(s).

Tag (device parameter, max. 32 characters) plate stainless steel 304/1.4301

cFM_{US}, cCSA_{US}, ATEX, IECEx

INMETRO⁴⁾

NEPSI

ATEX, IECEx

WHG and VlareM

Operating Instructions

All literature is available to download for free, in a range of languages, at

<http://www.siemens.com/processinstrumentation/documentation>

Accessories

Submergence shield kit

Easy Aimer 2, aluminum, NPT with 3/4" x 1" PVC coupling

Easy Aimer 2, aluminum with M20 adapter and 1" and 1/2" BSPT aluminum couplings

Easy Aimer 304, NPT with 1" stainless steel coupling

Easy Aimer 304, with M20 adapter and 1" and 1/2" BSPT 304 stainless steel couplings

FMS-200 universal box bracket, mounting kit

FMS-210 channel bracket, wall mount

FMS-220 extended channel bracket, wall mount

FMS-310 channel bracket, floor mount

FMS-320 extended channel bracket, floor mount

FMS-350 bridge channel bracket, floor mount (see Mounting Brackets on page 4/186 for more information)

1" NPT locknut, plastic

1" BSP locknut, plastic

Plastic adapter 1" BSP - 20 mm

Plastic adapter 1" NPT

Plastic adapter 1" NPT/M20

SIMATIC RTU3010C compact, remote data manager with alarming

SIMATIC RTU3030C compact, remote data manager with alarming

Intrinsically Safe barrier

SITRANS RD100, loop powered display - see Chapter 7

SITRANS RD150, remote digital display for 4 to 20 mA and HART devices - see Chapter 7

SITRANS RD200, universal input display with Modbus conversion - see Chapter 7

SITRANS RD300, dual line display with totalizer and linearization curve and Modbus conversion - see Chapter 7

For applicable back up point level switch - see point level measurement section

¹⁾ Must be ordered in combination with order codes E49, E25, E27, or E47.

²⁾ Not available in combination with order codes E49, E25, E27, or E47.

³⁾ Available only with Order code E47.

⁴⁾ MASC approval is also included when ordered with Type of protection option G.

Article No.

A5E49069764

7ML1830-1AQ

7ML1830-1AX

7ML1830-1AU

7ML1830-1GN

7ML1830-1BK

7ML1830-1BL

7ML1830-1BM

7ML1830-1BN

7ML1830-1BP

7ML1830-1BQ

7ML1830-1DS

7ML1830-1DR

7ML1830-1EA

7ML1930-1FX

7ML1830-1EF

6NH3112-0BA00-0XX0

6NH3112-3BA00-0XX0

7NG4124-1AA00

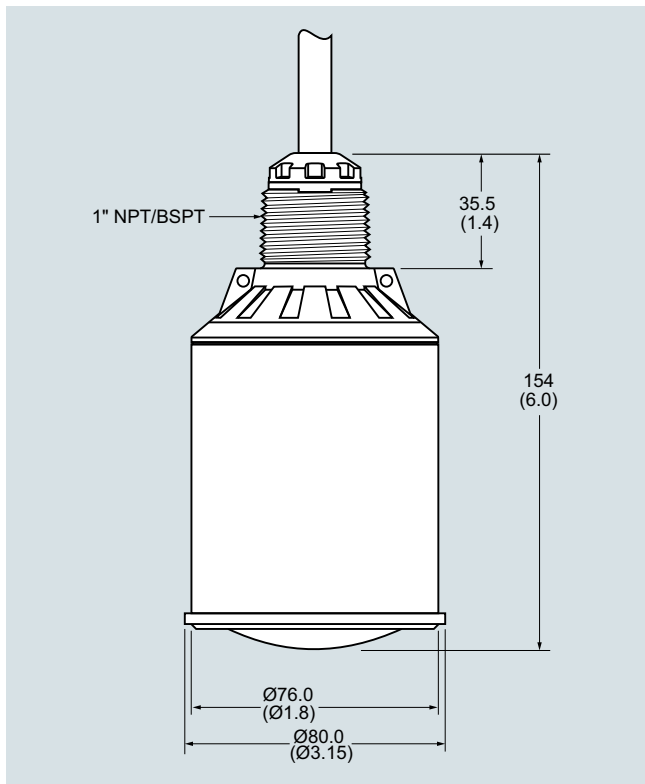
7ML5741-.....-

7ML5742-.....-

7ML5740-.....-

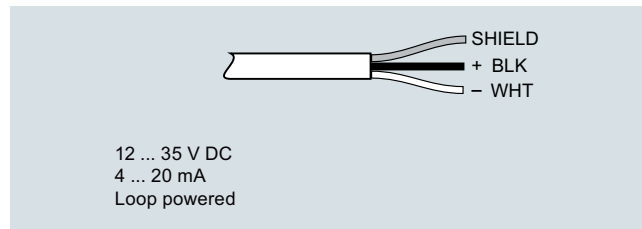
7ML5744-.....-

Dimensional drawings

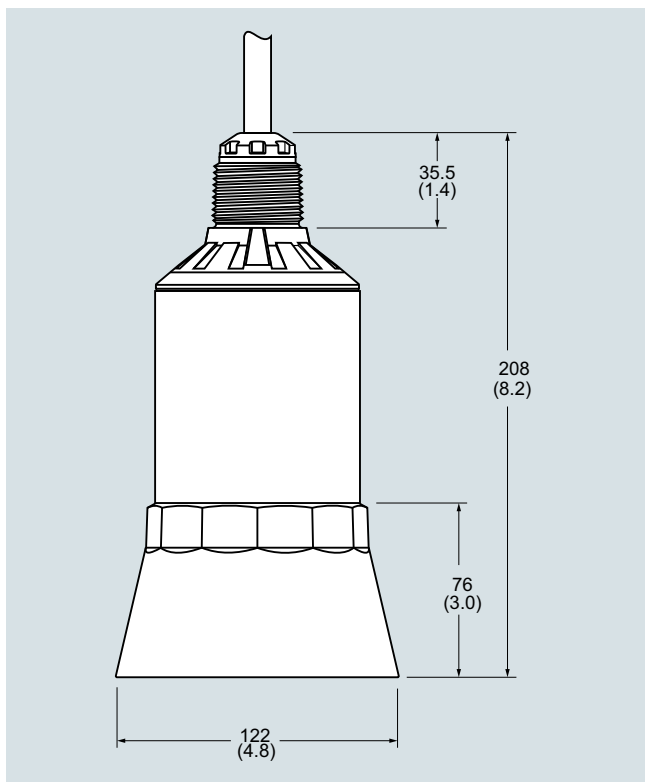


SITRANS LR120, dimensions in mm (inch)

Circuit diagrams



SITRANS LR120 Connections



SITRANS LR120 Submergence shield accessory, dimensions in mm (inch)