

---



SWING  
CHECK VALVE

# 130

## SWING CHECK VALVE



### NBR SEAT

SIZE	PRESSURE	CODE	PACKING
3/8" (DN 10)	16bar/232psi	1300038G	16/128
1/2" (DN 15)	16bar/232psi	1300012G	16/128
3/4" (DN 20)	16bar/232psi	1300034G	12/96
1" (DN 25)	12bar/174psi	1300100G	8/56
1" 1/4 (DN 32)	10bar/145psi	1300114G	5/40
1" 1/2 (DN 40)	10bar/145psi	1300112G	4/32
2" (DN 50)	10bar/145psi	1300200G	2/24

### METAL SEAT

SIZE	PRESSURE	CODE	PACKING
3/8" (DN 10)	16bar/232psi	1300038M	16/128
1/2" (DN 15)	16bar/232psi	1300012M	16/128
3/4" (DN 20)	16bar/232psi	1300034M	12/96
1" (DN 25)	12bar/174psi	1300100M	8/56
1" 1/4 (DN 32)	10bar/145psi	1300114M	5/40
1" 1/2 (DN 40)	10bar/145psi	1300112M	4/32
2" (DN 50)	10bar/145psi	1300200M	2/24
2" 1/2 (DN 65)	8bar/116psi	1300212M	1/12
3" (DN 80)	8bar/116psi	1300300M	1/10
4" (DN 100)	8bar/116psi	1300400M	1/4

### TECHNICAL SPECIFICATIONS

Body in brass.

O-ring for upper plug in NBR.

O-ring of the side plug in NBR.

Plate in brass.

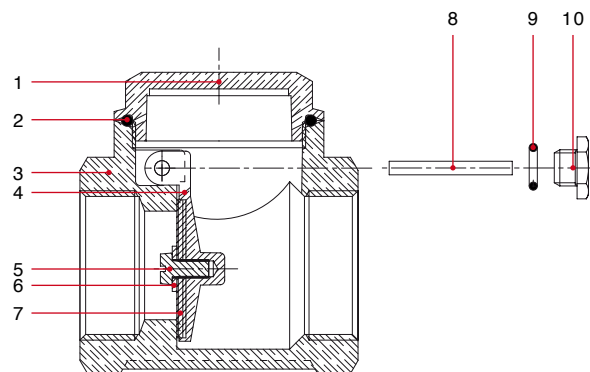
Minimum and maximum working temperatures: 0°C, 90°C.

Threads: ISO228 (equivalent to DIN EN ISO 228 and BS EN ISO 228).

**Available 3/8" through 2" with NBR seat, 3/8" through 4" with metal seat.**

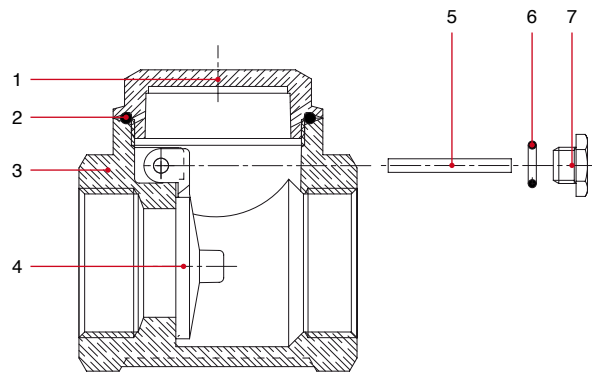
**Available also with NPT thread in the sizes 2" 1/2, 3" e 4".**

### MATERIALS 130G



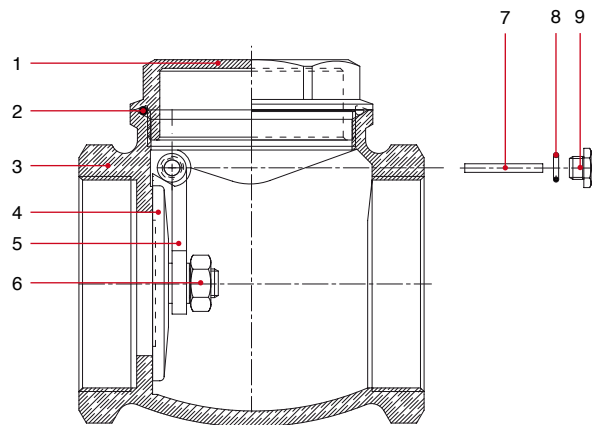
POS.	DESCRIPTION	N.	MATERIAL
1	End adapter	1	Brass CW617N
2	O-Ring	1	NBR
3	Body	1	Brass CW617N
4	Plate	1	Brass CW617N
5	Screw	1	Brass CW617N
6	Washer	1	Brass UNI EN 1652
7	Seat	1	NBR
8	Pin	1	Brass CW614N
9	O-Ring	1	NBR
10	Plug	1	Brass CW614N

MATERIALS 130M  
FROM 3/8" TO 2"



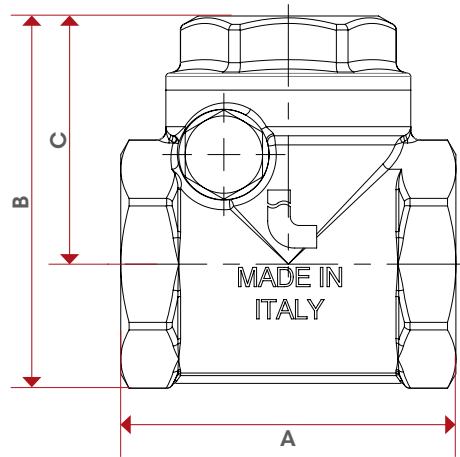
POS.	DESCRIPTION	N.	MATERIAL
1	End adapter	1	Brass CW617N
2	O-Ring	1	NBR
3	Body	1	Brass CW617N
4	Plate	1	Brass CW617N
5	Pin	1	Brass CW614N
6	O-Ring	1	NBR
7	Plug	1	Brass CW614N

MATERIALS 130M  
FROM 2 1/2 TO 4"



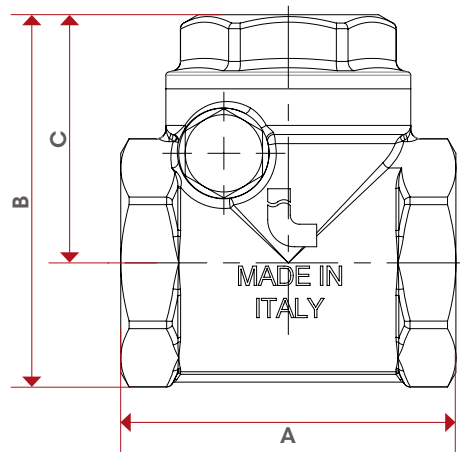
POS.	DESCRIPTION	N.	MATERIAL
1	End adapter	1	Brass CW617N
2	O-Ring	1	NBR
3	Body	1	Brass CB753S
4	Plate	1	Brass CW617N
5	Arm	1	Brass CW617N
6	Nut	1	Brass CW614N
7	Pin	1	Brass CW614N
8	O-Ring	1	NBR
9	Plug	1	Brass CW614N

OVERALL  
DIMENSIONS  
130G



	3/8"	1/2"	3/4"	1"	1"1/4	1"1/2	2"
DN	10	15	20	25	32	40	50
A	43	43	52	62	72	81	94
B	49	49	58	66	76	86	98,7
C	34	34	38,5	42	47	54	59
Kg/cm <sup>2</sup> bar	16	16	16	12	10	10	10
LBS - psi	232	232	232	174	145	145	145

OVERALL  
DIMENSIONS  
130M

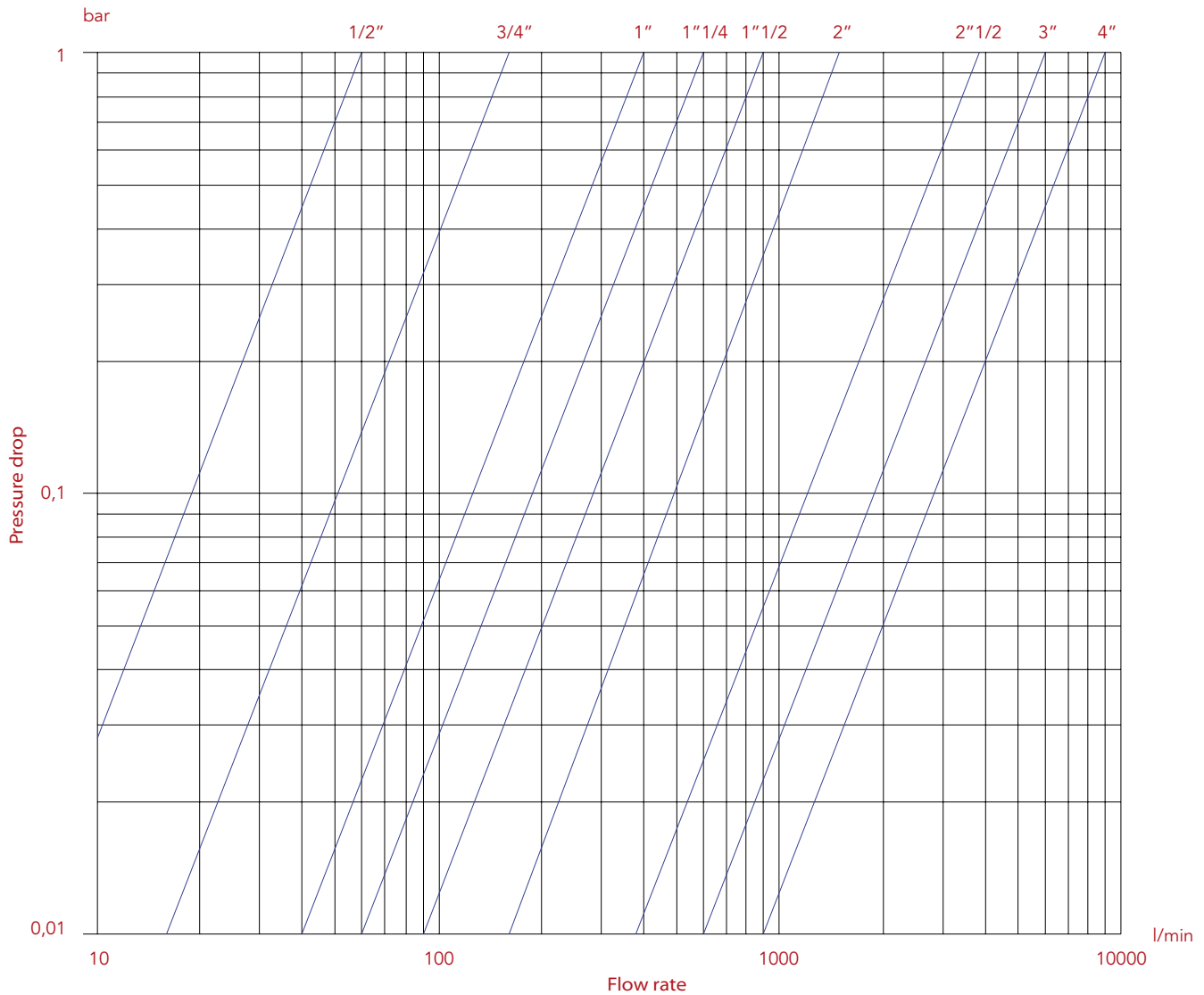


	3/8"	1/2"	3/4"	1"	1"1/4	1"1/2	2"	2"1/2	3"	4"
DN	10	15	20	25	32	40	50	65	80	100
A	43	43	52	62	72	81	94	119	134	169
B	49	49	58	66	76	86	98,7	126,7	146,5	183,5
C	34	34	38,5	42	47	54	59	78	90	111
Kg/cm <sup>2</sup> bar	16	16	16	12	10	10	10	8	8	8
LBS - psi	232	232	232	174	145	145	145	116	116	116

CERTIFICATIONS



# FLOW RATE AND PRESSURE DROP CHART WITH WATER



SIZE	3/8"	1/2"	3/4"	1"	1\"1/4	1\"1/2	2"	2\"1/2	3"	4"
Kv	-	3,60	9,50	23	35	56	86	222	360	540

# DIAGRAM MINIMUM PRESSURE TO GET THE VALVES OPENING

