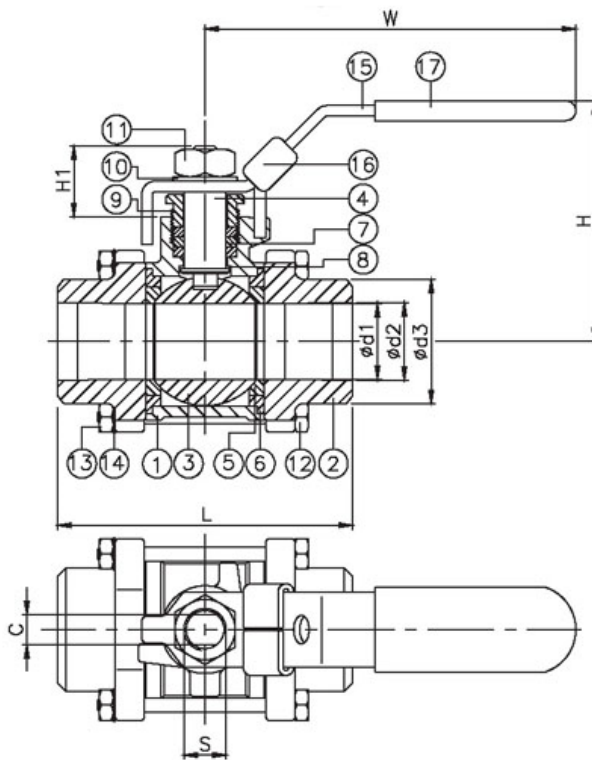


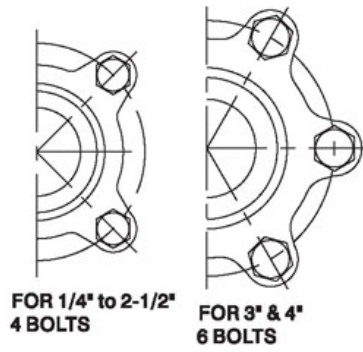


FEATURES

1. Full port, 1/4"~4" (DN8~DN100)
2. W. P.: 1000 WOG(PN63)
3. W. T.: -20°C ~200°C (-4℉~392℉)
4. Investment casting
5. Blow-out proof stem
6. Locking device
7. TA-Luft approved (option)
8. Length conform to DIN 3202/4-M3-2012N-M3 (option)
9. Butt weld ends conform to ANSI B16.25 & DIN 3239 part1



ITEM	PARTS	MATERIAL	
1	BODY	ASTM A351-	ASTM A216-
2	CAP	CF8M	WCB
3	BALL	ASTM A351-CF8M	
4	STEM	ASTM A276-316	
5	SEAT	PTFE/RTFE	
6	SEAL	PTFE	
7	PACKING		
8	THRUST WASHER		
9	GLAND NUT	AISI 304	
10	SPRING WASHER		
11	STEM NUT		
12	BOLT		
13	NUT		
14	SPRING WASHER	STAINLESS STEEL	
15	HANDLE		
16	LOCKING DEVICE	PVC	
17	HANDLE SLEEVE		



**FOR 1/4" to 2-1/2"
4 BOLTS**

**FOR 3" & 4"
6 BOLTS**

DN	d1	d2	d3	L	H	H1	W	C	S	Torque (N-M)	Weight (kg)
8	9.3	-	14.7	65	58.5	18	100	5	3/8"~24UNF	3.5	0.4
10	12.5	-	18.1	65	58.5	18	100	5	3/8"~24UNF	4	0.4
15	15	15.8	22.3	65	62	18.5	100	5	3/8"~24UNF	5.5	0.5
20	20	20.9	27.7	75	62	22.5	125	6.5	7/16"~20UNF	7.5	0.7
25	25	26.6	34.4	85	77	25	149	7.9	7/16"~20UNF	11	1
32	32	35.1	43.2	101	82	26	149	7.9	7/16"~20UNF	15	1.6
40	38	40.9	49.3	112	100	30	190	10	1/2"~20UNF	20	2.5
50	50	52.5	61.5	130	108	30	190	10	1/2"~20UNF	40	3.5
65	63	62.7	74.5	162	137	40	250	12	3/4"~10UNC	60	6.7
80	76	77.9	91	188	145	40	250	12	3/4"~10UNC	85	9.5
100	96	102	115.5	224	179	54	323	16	1"~8UNC	150	19.1

unit:mm

NPS	d1	d2	d3	L	H	H1	W	C	S	Torque (in-lb)	Weight (lb)
1/4"	0.37	-	0.58	2.56	2.3	0.71	3.94	0.2	3/8"~24UNF	31	0.8
3/8"	0.49	-	0.71	2.56	2.3	0.71	3.94	0.2	3/8"~24UNF	35.4	0.8
1/2"	0.59	0.62	0.88	2.56	2.44	0.73	3.94	0.2	3/8"~24UNF	48.7	1.1
3/4"	0.79	0.82	1.09	2.95	2.44	0.89	4.92	0.26	7/16"~20UNF	66.4	1.5
1"	0.98	1.05	1.35	3.35	3.03	0.98	5.87	0.31	7/16"~20UNF	97.4	2.2
1-1/4"	1.26	1.38	1.7	3.98	3.23	1.02	5.87	0.31	7/16"~20UNF	132.8	3.5
1-1/2"	1.5	1.61	1.94	4.41	3.94	1.18	7.48	0.39	1/2"~20UNF	177	5.5
2"	1.97	2.07	2.42	5.12	4.25	1.18	7.48	0.39	1/2"~20UNF	354	7.7
2-1/2"	2.48	2.47	2.93	6.38	5.39	1.57	9.84	0.47	3/4"~10UNC	531	14.8
3"	2.99	3.07	3.58	7.4	5.71	1.57	9.84	0.47	3/4"~10UNC	752.3	20.9
4"	3.78	4.02	4.55	8.82	7.05	2.13	12.72	0.63	1"~8UNC	1327.6	42.1

unit:in