

## Level measurement

Continuous level measurement  
Radar level transmitters

### SITRANS LR110

#### Overview



SITRANS LR110 is a compact radar transmitter for continuous level measurement of liquids, slurries, or solids to a range of 15 m (49.2 ft).

#### Benefits

- Bluetooth connectivity for easy setup with SITRANS mobile IQ
- Chemically resistant PVDF enclosure
- HART 7.0 or Modbus RTU (in preparation) communication for intelligent integration into your application
- W band FMCW radar yields narrow beam with small antenna for superior performance in short range applications
- Approved for open air applications outside of a tank
- 2 mm accuracy and zero near range distance yields optimum inventory management capability
- Compact design fits in limited space installations
- Hazardous area variants available for safe use in explosive gas or dust environments.

#### Application

SITRANS LR110 is a W band FMCW radar level transmitter, packaged in a hermetically sealed PVDF enclosure for years of trouble-free reliable measurement service.

4 to 20 mA loop powered with HART [optional 4-wire Modbus RTU (in preparation)], providing accurate level measurement to ranges of 15 m (49.2 ft). Measurement is possible non-intrusively through plastic vessel tops for easy installation. Programming is convenient using the Bluetooth connection and SITRANS mobile IQ application on your smart device.

#### Technical specifications

<b>Mode of operation</b>	
Measuring principle	W band FMCW radar
Measuring range	0 ... 15 m (0 ... 49.2 ft)
Frequency	80 GHz nominal
Beam angle	8°
<b>Power Supply</b>	
HART	
• Voltage	12 ... 35 V DC
• Current	4 ... 20 mA
Modbus (in preparation)	
• Voltage	8 ... 30 V DC
• Current	38 mA at 8 V DC/17 mA at 30 V DC
<b>Communications</b>	
4 ... 20 mA	HART 7.0
Modbus (4-wire option) (in preparation)	RTU
<b>Accuracy</b>	
	± 2 mm (range 0.25 ... 0.15 m), ± 10 mm (range 0 ... 0.25 m)
<b>Rated operating conditions</b>	
Vessel pressure	-1 ... +3 bar (14.50 ... 43.51 psi g)
Ambient temperature	-40 ... +80 °C (-40 ... +176 °F)
Process temperature	-40 ... +80 °C (-40 ... +176 °F)
Storage temperature	-40 ... +80 °C (-40 ... +176 °F)
<b>Design</b>	
Weight	0.5 kg (1.1 lb), plus 0.1 kg/m (0.2 lb/ft) cable length
Material (enclosure)	PVDF
Process connection	1-½" NPT, 1-½" BSPT or 1-½" BSPP
Degree of protection	IP66/IP68
Cable connection	1" NPT or 1" BSPT threaded connection
• HART	Length options: 5 ... 100 m (16.4 ... 328.1 ft), 2 conductor, twisted with shield 18 AWG, PVC jacket
• Modbus version (in preparation)	Length options: 5 ... 100 m (16.4 ... 328.1 ft), 4 conductor, twisted pairs, 22 AWG, polyurethane jacket
<b>Certificates and approvals</b>	
	CE, cFM <sub>US</sub> , cCSA <sub>US</sub> , ATEX, IECEx, RCM, FCC, Industry Canada, INMETRO, NEPSI, FDA(EG)1935/2004
<b>Programming</b>	
SITRANS mobile IQ App	SITRANS mobile IQ is a Bluetooth app that provides an intuitive interface to quickly configure, set up and monitor SITRANS LR100 series. For more information: <a href="http://www.siemens.com/mobileIQ">http://www.siemens.com/mobileIQ</a>
SIMATIC PDM	SIMATIC PDM allows for remote PC configuration and diagnostics (for installation on a network).

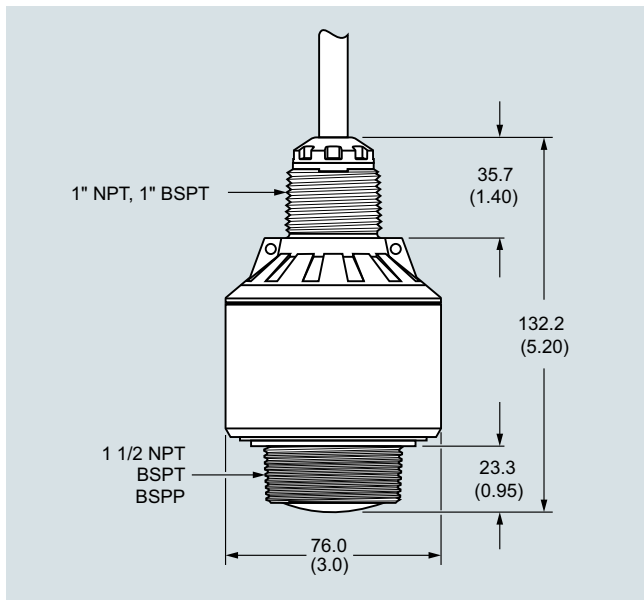
Selection and ordering data	Article No.	Order code
<b>SITRANS LR110 Radar level transmitter</b> Continuous, non-contact, 15 m (49.2 ft) range, for liquids, slurries, or solids, integrated cable connection <a href="#">Click on the Article No. for the online configuration in the PIA Life Cycle Portal.</a>	<b>7ML531-</b> - - 0 6 - 0 - A 0	
<b>Communications</b> HART (4 ... 20 mA)	0	
<b>Bluetooth function</b> Disabled Enabled	0 1	
<b>Cable length</b> 5 m 10 m 30 m 50 m 100 m	A B C D E	
<b>Process connection</b> 1-1/2" NPT [(Taper), ASME B1.20.1]/electrical connection 1" NPT R 1-1/2" [(BSPT), EN 10226]/electrical connection 1" BSPT G 1-1/2" [(BSPP), EN ISO 228-1]/electrical connection 1" BSPT	A B C	
<b>Type of protection</b> Non Ex (ordinary locations/Class I, Div. 1) CE, cFM <sub>US</sub> , cCSA <sub>US</sub> , RCM <sup>2)</sup> Ex i (ia) (Gas Ex-Zone 0/Class 1, Div. 1) Dust Ex-Zone 20, 21, Class II & III Div. 1 <sup>1)</sup> Ex Zone 1, 1/2, Zone 21, 22, (Class I, Div. 2), Class II & III, Div. 2 via encapsulation <sup>3)</sup>	A B G	
		<b>Further designs</b> Please add "-Z" to Article No. and specify Order code(s). Tag (device parameter, max. 32 characters) plate stainless steel 304/1.4301 cFM <sub>US</sub> , cCSA <sub>US</sub> , ATEX, IECEx INMETRO <sup>4)</sup> NEPSI ATEX, IECEx WHG and Vlaren
		<b>Operating Instructions</b> All literature is available to download for free, in a range of languages, at <a href="http://www.siemens.com/processinstrumentation/documentation">http://www.siemens.com/processinstrumentation/documentation</a>
		<b>Accessories</b> Easy Aimer 2, aluminum, NPT with 3/4" x 1" PVC coupling Easy Aimer 2, aluminum with M20 adapter and 1" and 1 1/2" BSPT aluminum couplings Easy Aimer 304, NPT with 1" stainless steel coupling Easy Aimer 304, with M20 adapter and 1" and 1 1/2" BSPT 304 stainless steel couplings FMS-200 universal box bracket, mounting kit FMS-210 channel bracket, wall mount FMS-220 extended channel bracket, wall mount FMS-310 channel bracket, floor mount FMS-320 extended channel bracket, floor mount FMS-350 bridge channel bracket, floor mount (see Mounting Brackets on page 4/186 for more information) 1" NPT locknut, plastic 1" BSP locknut, plastic Plastic adapter 1" BSP - 20 mm Plastic adapter 1" NPT Plastic adapter 1" NPT/M20 SIMATIC RTU3010C compact, remote data manager with alarming SIMATIC RTU3030C compact, remote data manager with alarming Intrinsically Safe barrier SITRANS RD100, loop powered display - see Chapter 7 SITRANS RD150, remote digital display for 4 to 20 mA and HART devices - see Chapter 7 SITRANS RD200, universal input display with Modbus conversion - see Chapter 7 SITRANS RD300, dual line display with totalizer and linearization curve and Modbus conversion - see Chapter 7 For applicable back up point level switch - see point level measurement section
		Article No. <b>7ML1830-1AQ</b> <b>7ML1830-1AX</b> <b>7ML1830-1AU</b> <b>7ML1830-1GN</b> <b>7ML1830-1BK</b> <b>7ML1830-1BL</b> <b>7ML1830-1BM</b> <b>7ML1830-1BN</b> <b>7ML1830-1BP</b> <b>7ML1830-1BQ</b> <b>7ML1830-1DS</b> <b>7ML1830-1DR</b> <b>7ML1830-1EA</b> <b>7ML1930-1FX</b> <b>7ML1830-1EF</b> <b>6NH3112-0BA00-0XX0</b> <b>6NH3112-3BA00-0XX0</b> <b>7NG4124-1AA00</b> <b>7ML5741-.....-</b> <b>7ML5742-.....-</b> <b>7ML5740-.....-</b> <b>7ML5744-.....-</b>
		<sup>1)</sup> Must be ordered in combination with order codes E49, E25, E27, or E47. <sup>2)</sup> Cannot be ordered in combination with order codes E49, E25, E27, or E47. <sup>3)</sup> Available only with Order code E47. <sup>4)</sup> MASC approval is also included when ordered with Type of protection option G.

## Level measurement

Continuous level measurement  
Radar level transmitters

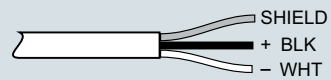
### SITRANS LR110

#### Dimensional drawings



SITRANS LR110, dimensions in mm (inch)

#### Circuit diagrams



12 ... 35 V DC  
4 ... 20 mA  
Loop powered

SITRANS LR120 Connections