

Level Measurement

Continuous level measurement

Radar level transmitters / SITRANS LR140

Overview



SITRANS LR140 is a 2 wire loop powered radar transmitter for continuous level measurement of liquids and slurries to a range of 8 m (26 ft).

Benefits

- Bluetooth connectivity for easy setup with SITRANS mobile IQ.
- Chemically resistant PVDF sensor.
- W band FMCW radar yields narrow beam with small antenna for superior performance in short range applications.
- Approved for open air applications outside of a tank.
- Compact design fits in limited space installations.

Application

SITRANS LR140 is a W band FMCW radar level transmitter, packaged in a chemically resistant enclosure with PVDF sensor for years of trouble-free reliable measurement service.

4 to 20 mA loop powered, it provides accurate level measurement to ranges of 8 m (26 ft). Measurement is possible, non-intrusively, through plastic vessel tops for easy installation. Programming is convenient using the Bluetooth connection and SITRANS mobile IQ application on your smart device.

Selection and ordering data

	Article No.
SITRANS LR140 Radar level transmitter Non-contact, 8 m (26.2 ft) range, for liquids and solids.	7ML533 7 - 1 A ● 0 7 - 4 A ● 0
Click on the Article No. for the online configuration in the PIA Life Cycle Portal.	
Process connection	
1-1/2" NPT	A
R 1-1/2" (BSPT)	B
G 1-1/2" (BSPP)	C
Electrical connections/Cable entry	
M20	F
1/2" NPT	K

Selection and Ordering data	Order code
Further designs	
Please add "-Z" to Article No. and specify Order code(s).	
Tag (device parameter, max. 32 characters) plate stainless steel 304/1.4301	Y15

Version 2023

Selection and ordering data (continued)

Accessories	Article No.
Accessories	
Bracket, 316L Stainless steel, 1 inch mount, 80 mm (3.1 inch) offset	A5E50507509
Bracket, 316L Stainless steel, 1 inch mount, 200 mm (7.9 inch) offset	A5E50507511
Bracket, 316L Stainless steel, 1.5 inch mount, 80 mm (3.1 inch) offset	A5E50507514
Bracket, 316L Stainless steel, 1.5 inch mount, 200 mm (7.9 inch) offset	A5E50507516
SITRANS LR140/LR150 Blind lid with o-ring	A5E50822955
Flat gasket, FKM, for G1.5 inch sensor	A5E50822967
1-½ BSP locknut, plastic	7ML1830-1DP
SIMATIC RTU3010C compact, remote data manager with alarming	6NH3112-0BA00-0-XX0
SIMATIC RTU3030C compact, remote data manager with alarming	6NH3112-3BA00-0-XX0
SITRANS RD100, loop powered display - see Chapter 7	7ML5741-.....-
SITRANS RD150, remote digital display for 4 to 20 mA and HART devices - see Chapter 7	7ML5742-.....-
SITRANS RD200, universal input display with Modbus conversion - see Chapter 7	7ML5740-.....-
SITRANS RD300, dual line display with totalizer and linearization curve and Modbus conversion - see Chapter 7	7ML5744-.....-
For applicable back up point level switch - see point level measurement section	

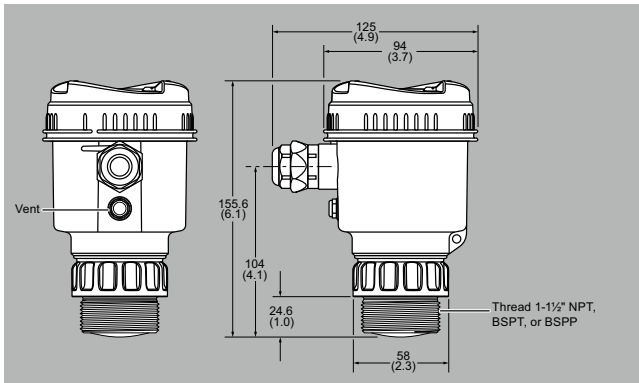
Technical specifications

SITRANS LR140	
Mode of operation	
Measuring principle	W band FMCW radar
Measuring range	0 ... 8 m (0 ... 26 ft)
Frequency	80 GHz nominal
Beam angle	8°
Power Supply	
Voltage	12 ... 35 V DC
Current	4 ... 20 mA
Accuracy	± 5 mm
Rated operating conditions	
Vessel pressure	-1 ... +3 bar (14.50 ... 43.51 psi g)
Ambient temperature	-40 ... +60 °C (-40 ... +140 °F)
Process temperature	-40 ... +60 °C (-40 ... +140 °F)
Storage temperature	-40 ... +80 °C (-40 ... +176 °F)
Design	
Weight	0.5 kg (1.1 lb)
Material (sensor)	PVDF
Material (enclosure)	PBT
Process connection	1-½" NPT, 1-½" BSPT, or 1-½" BSPP
Degree of protection	IP66/IP67
Certificates and approvals	
General	CE, cFMUS, cCSAUS, RCM, EAC
Radio	CE, FCC, IC, Anatel, ICASA, NCC, KC, CITC, RCM, WPC, Telec, NBTC, MCMC
Canadian Registration Number (CRN)	
British Columbia	0F22218.51
Alberta	0F20596.2
Saskatchewan	0F2002.3

Technical specifications (continued)

SITRANS LR140	
Manitoba	0F7032.4
Ontario	0F22218.5
New Brunswick	0F05183.6
Nova Scotia	0F1490.07
Prince Edward Island	0F1490.08
Newfoundland and Labrador	0F1490.09
Yukon	0F1490.0
Northwest Territories	0F1490.0Y
Nunavut	0F1490.0T
Programming	0F1490.0N
SITRANS mobile IQ App	SITRANS mobile IQ is a Bluetooth app that provides an intuitive interface to quickly configure, set up and monitor SITRANS LR100 series. For more information: http://www.siemens.com/mobileIQ

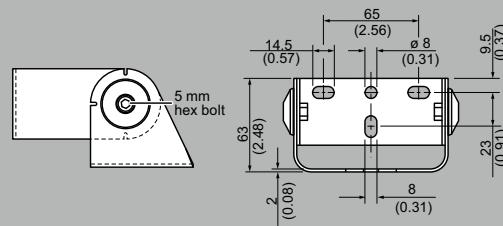
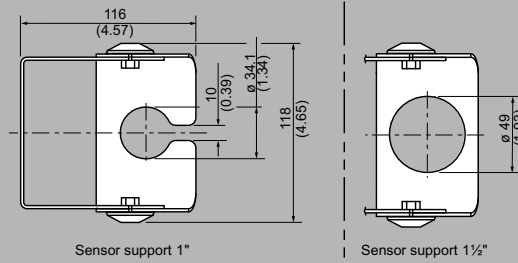
Dimensional drawings



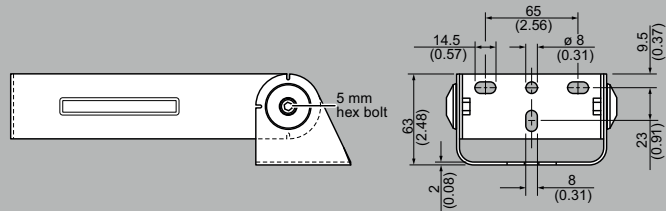
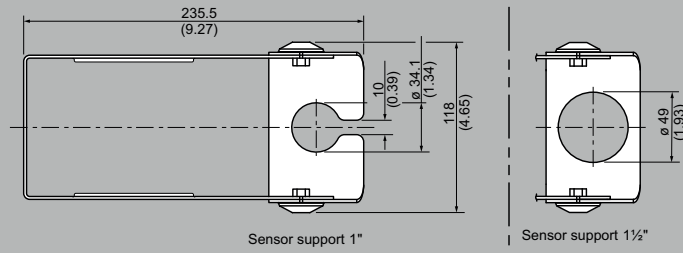
SITRANS LR140, dimensions in mm (inch)

Dimensional drawings (continued)

Mounting bracket, 80 mm

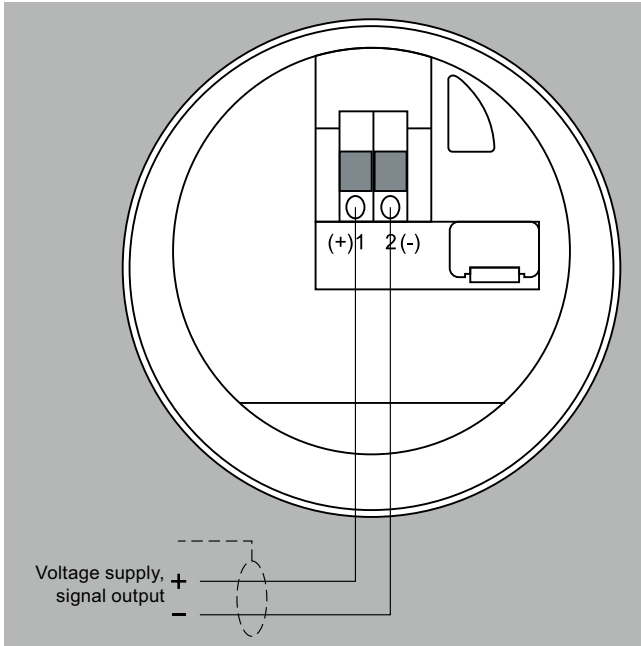


Mounting bracket, 200 mm



SITRANS LR140 mounting brackets, dimensions in mm (inch)

Circuit diagrams



SITRANS LR140 connections