

NA110IIT

GENERAL FEATURES:

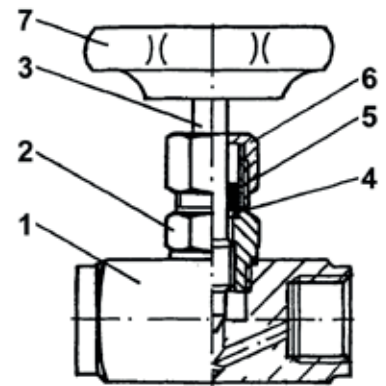
- Needle valve 1/8" ~ 2"

FIGURE:

BSP threaded acc. to EN 10226-1
 SW acc. to ANSI B16.11 & DIN 3239 part 2
 NPT threaded acc. to ASME B1.20.1
 BSP threaded acc. to EN 10226-1
 SW acc. to ANSI B16.11 & DIN 3239 part 2
 NPT threaded acc. to ASME B1.20.1

MATERIALS:

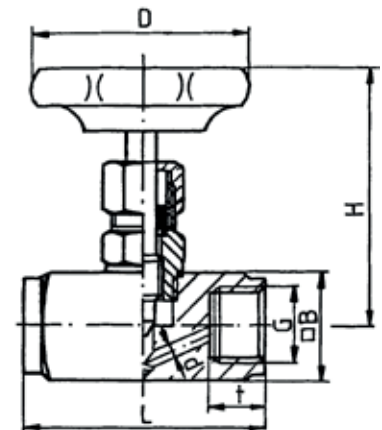
| N° | Description | Material | |
|----|--------------|------------------------|------------------------|
| | | AIT | IIT |
| 1 | Body | Steel 9S20K | Stainless steel 1.4571 |
| 2 | Bonnet | Steel 9S20K | Stainless steel 1.4571 |
| 3 | Stem | Stainless steel 1.4104 | Stainless steel 1.4571 |
| 4 | Packing | Stainless steel 1.4104 | Stainless steel 1.4571 |
| 5 | Stem packing | Graphite | PTFE |
| 6 | Packing nut | Steel 9S20K | Stainless steel 1.4571 |
| 7 | Handwheel | Plastic | Plastic |



DIMENSIONS: (mm)

| Ø | L | H | D | t | B | SW1 | d | Kg | Kv* |
|--------|-----|-----|-----|----|----|-----|----|------|-----|
| 1/8" | 45 | 70 | 50 | 11 | 25 | 22 | 4 | 0,28 | 4 |
| 1/4" | 50 | 72 | 50 | 13 | 25 | 22 | 5 | 0,28 | 8 |
| 3/8" | 55 | 72 | 50 | 13 | 25 | 22 | 6 | 0,28 | 10 |
| 1/2" | 60 | 72 | 63 | 16 | 30 | 22 | 7 | 0,33 | 12 |
| 3/4" | 75 | 95 | 63 | 18 | 35 | 27 | 9 | 0,54 | 18 |
| 1" | 100 | 110 | 90 | 22 | 45 | 32 | 12 | 0,75 | 32 |
| 1 1/4" | 110 | 130 | 100 | 24 | 60 | 41 | 15 | 1,85 | 60 |
| 1 1/2" | 130 | 140 | 100 | 28 | 70 | 41 | 22 | 1,85 | 115 |
| 2" | 130 | 140 | 100 | 28 | 70 | 41 | 22 | 2,00 | 130 |

Kv*: Liter per minute



WORKING CONDITIONS:

Pressure range up to temperature of 50°C

1/8" – 1/2" : 400 bar
 3/4" – 1" : 200 bar
 1 1/4" : 160 bar
 1 1/2" – 2" : 120 bar

Temperature:

AIT: max. 350 °C
IIT: max. 200 °C